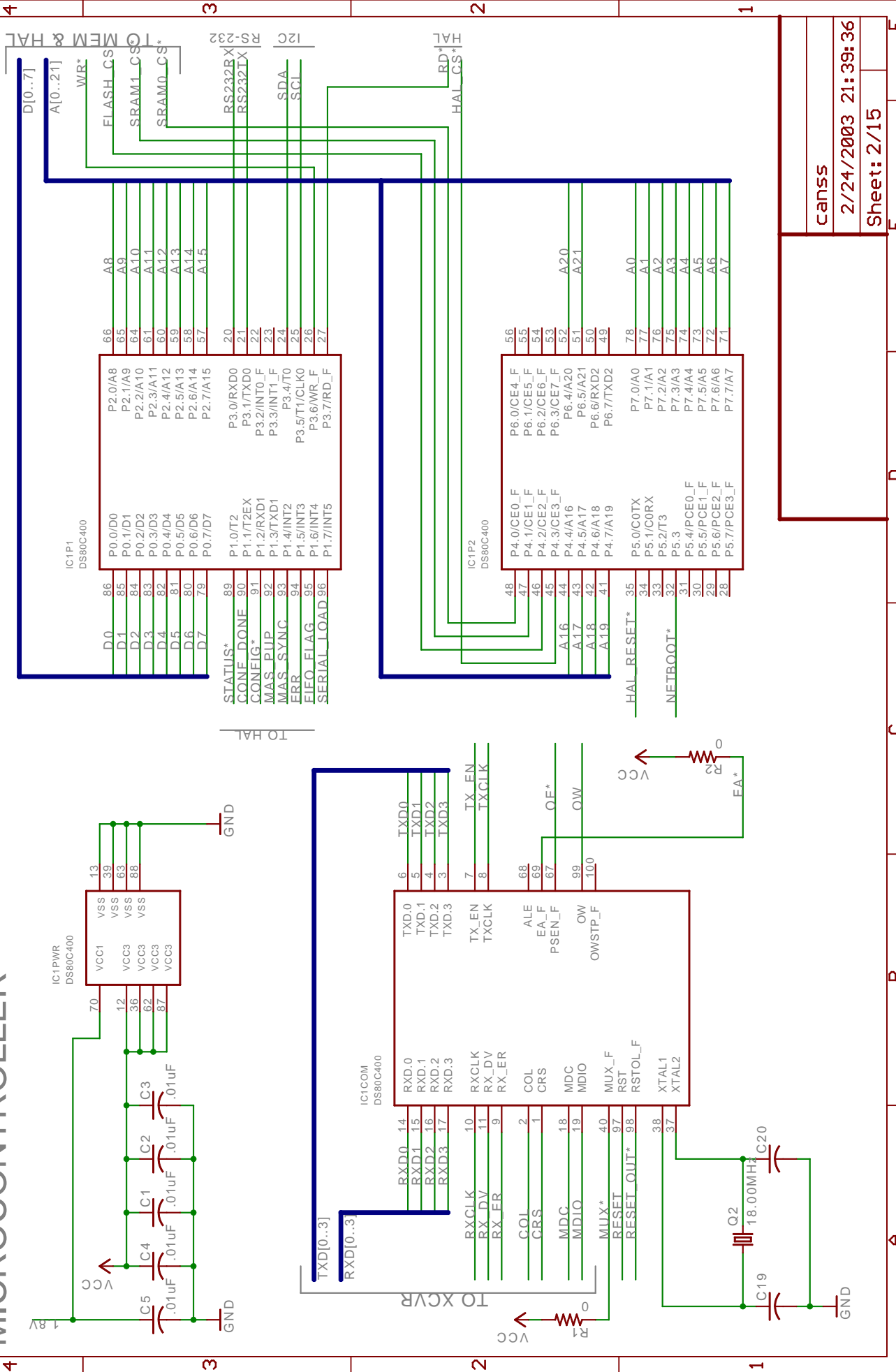


MICROCONTROLLER

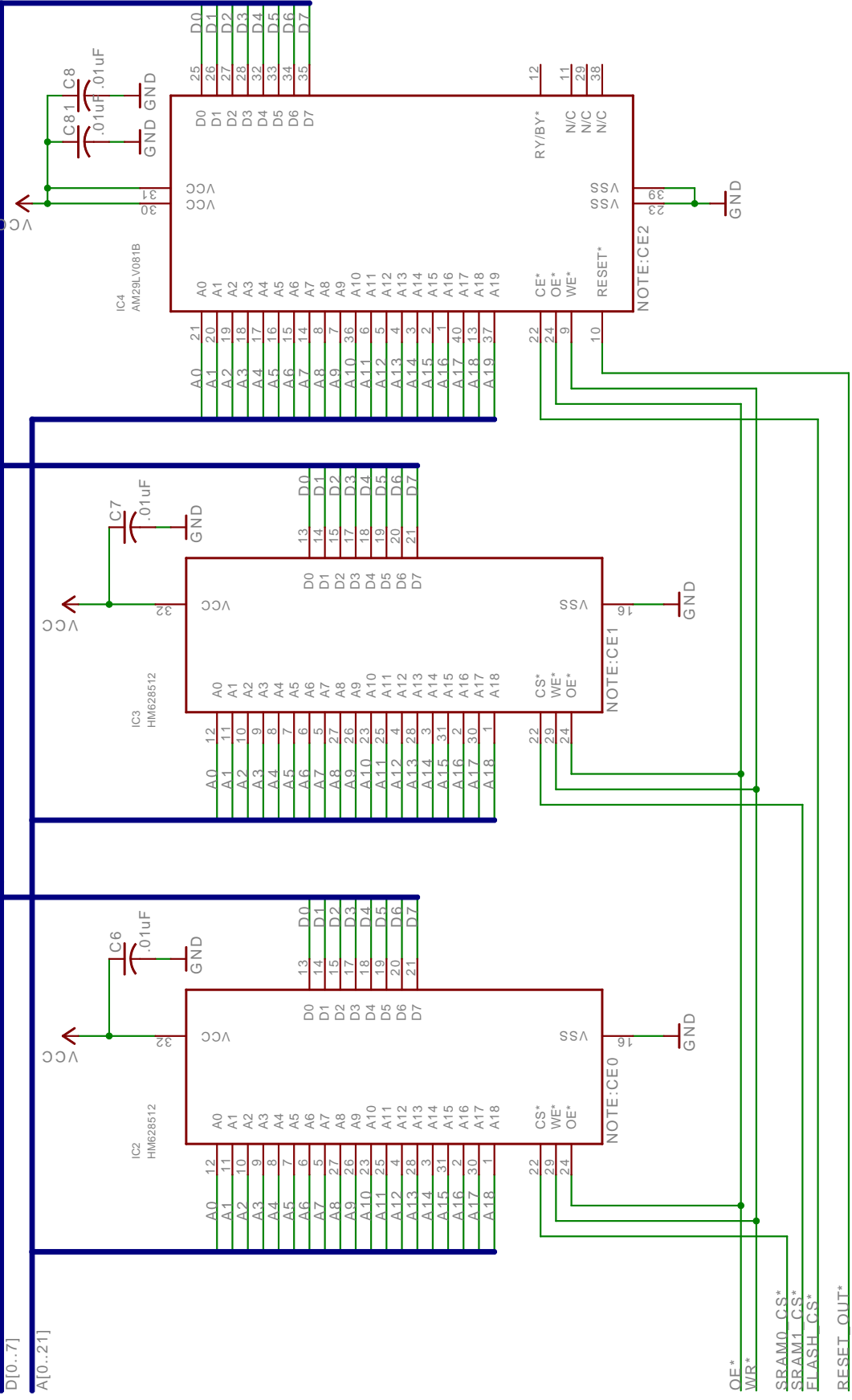


cansss

2/24/2003 21:39:36

Sheet: 2/15

MEMORY

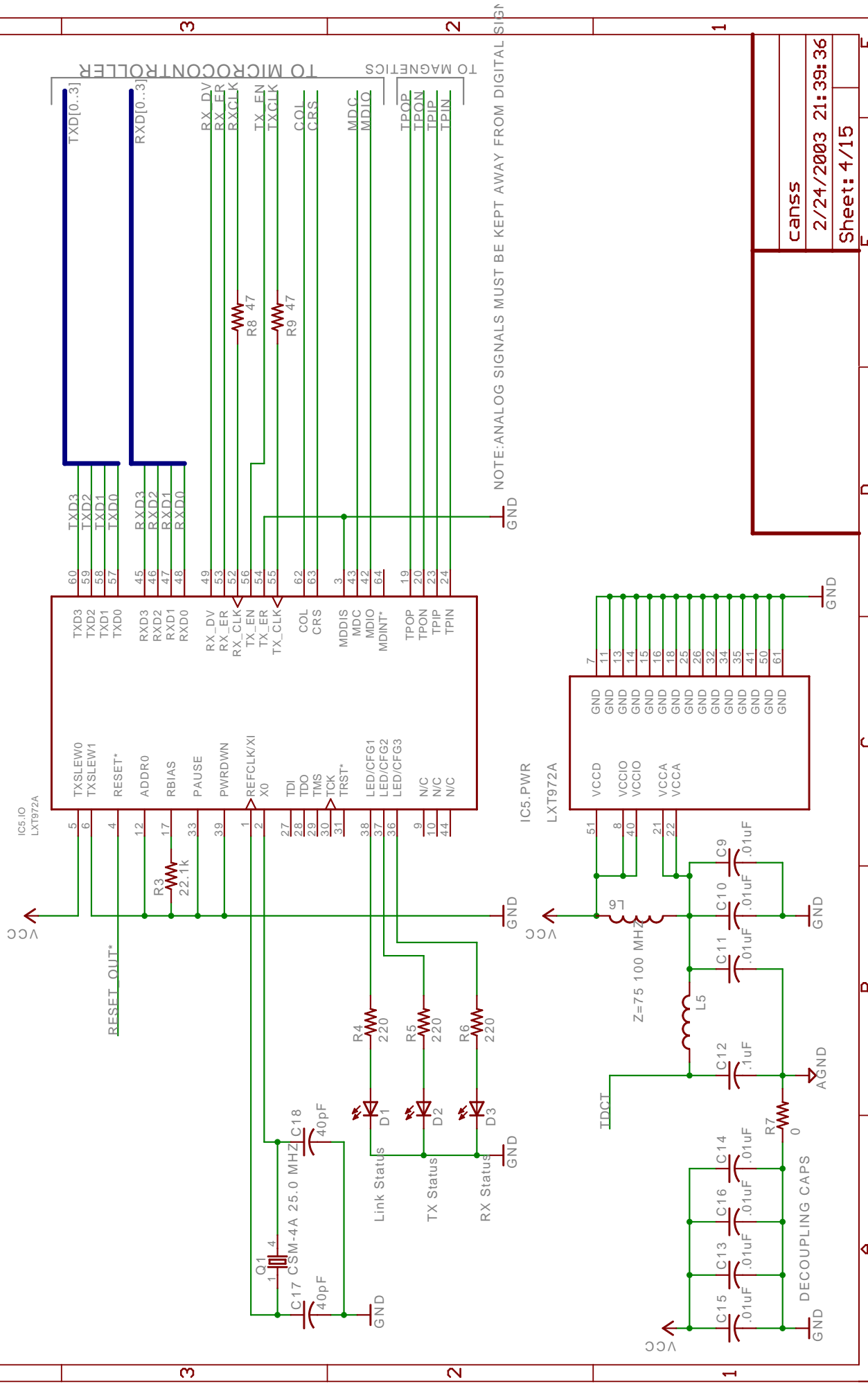


CanSS

2/24/2003 21:39:36

Sheet: 3/15

ETHERNET XCVR

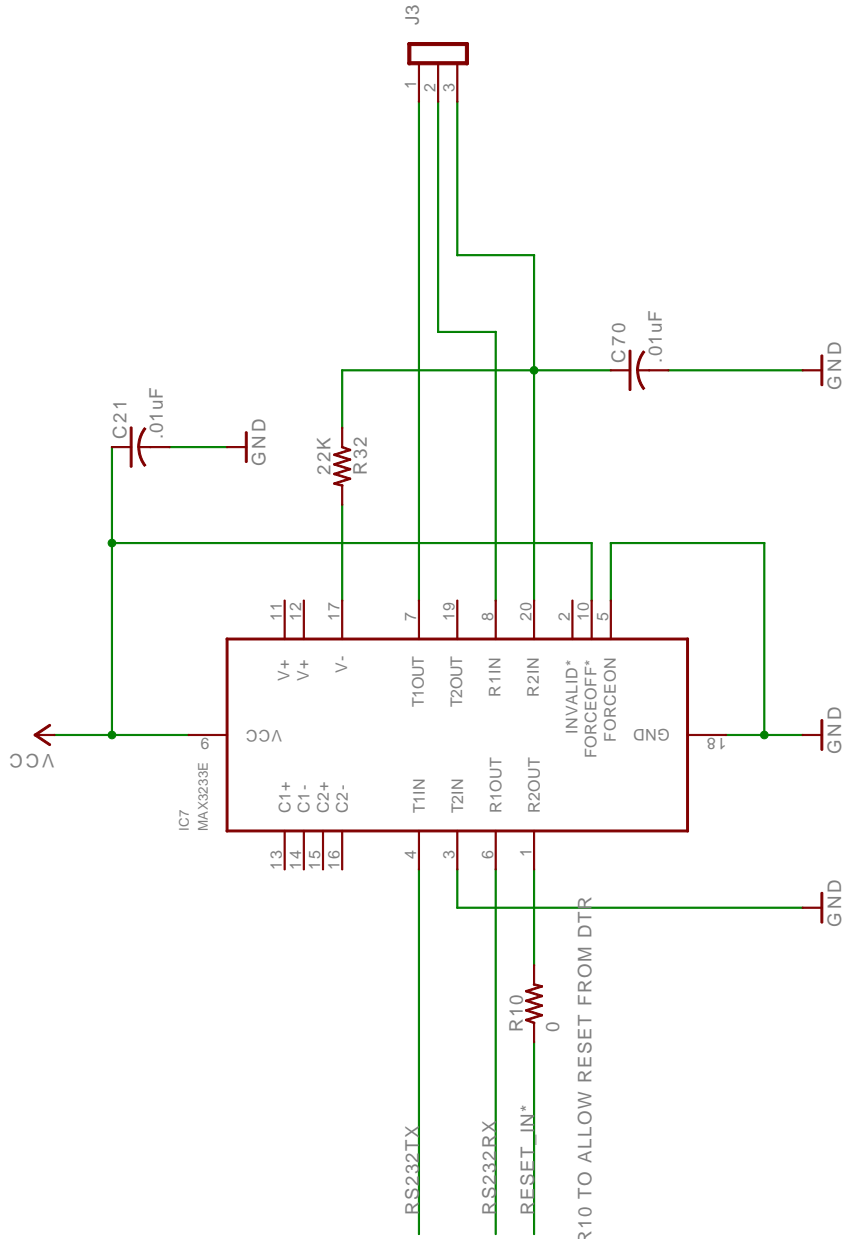


canss

2/24/2003 21:39:36

Sheet: 4/15

RS-232



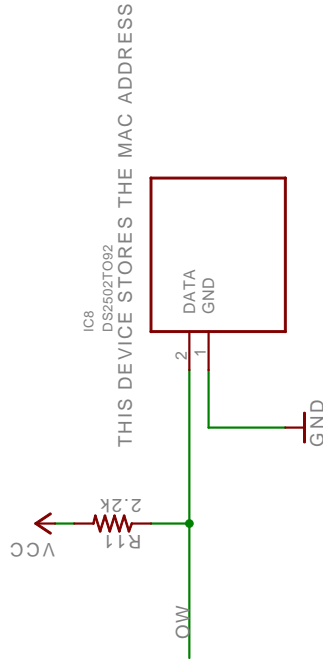
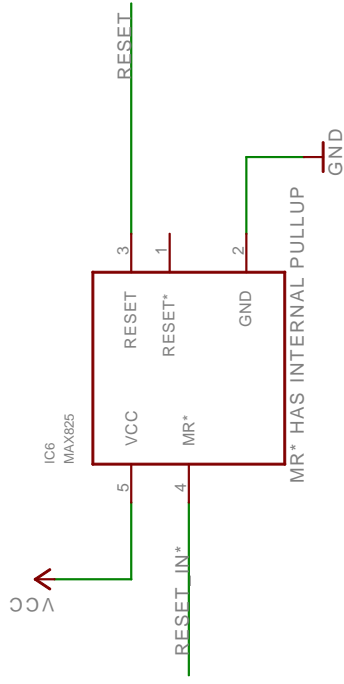
NOTE: CONNECT R10 TO ALLOW RESET FROM DTR

canss

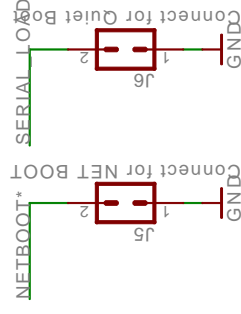
2/24/2003 21:39:36

Sheet: 5/15

RESET, AOM



BOOT MODE JUMPERS



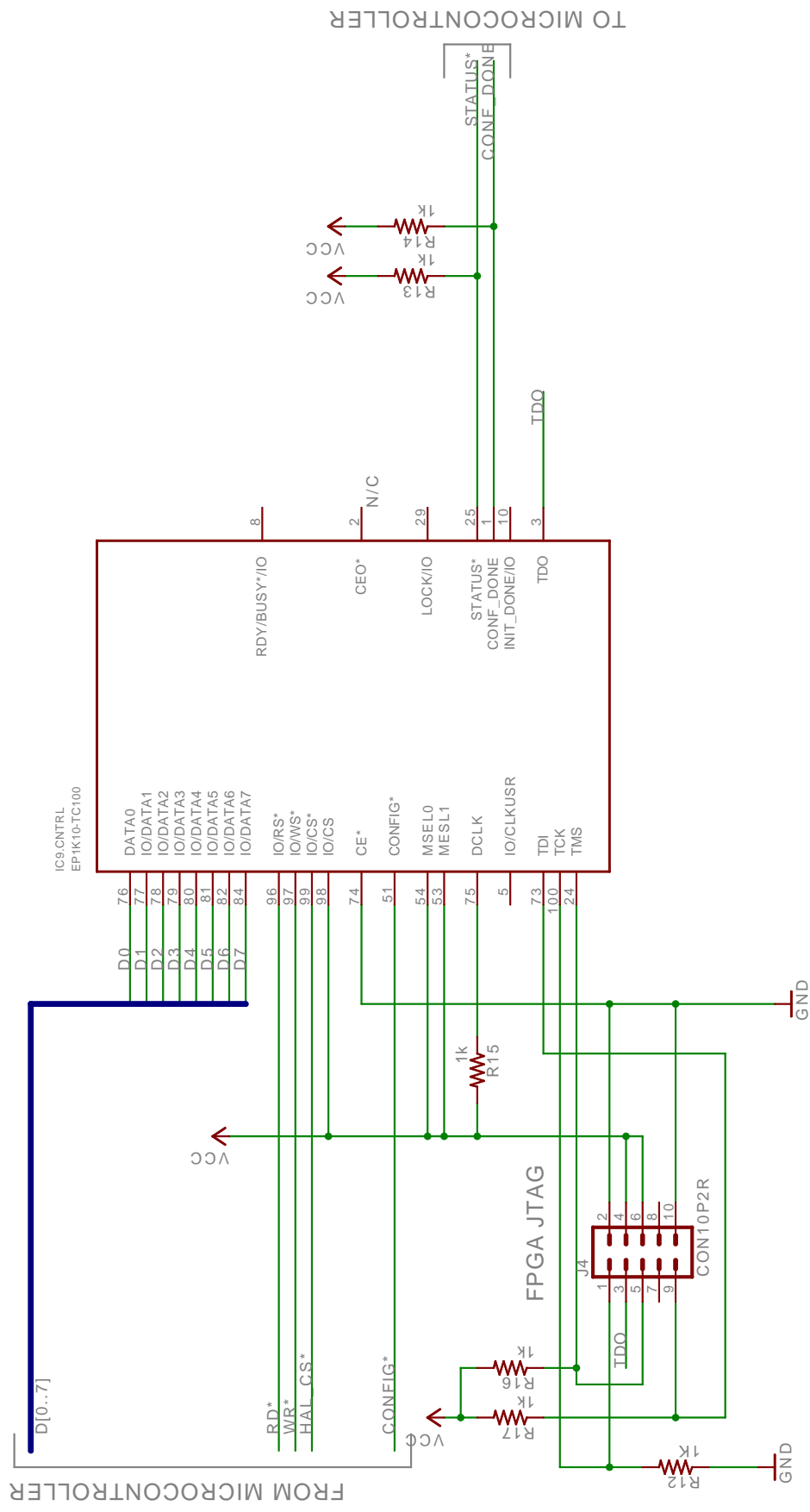
CanSS

2/24/2003 21:39:36

Sheet: 6/15

HAL DEDICATED IO

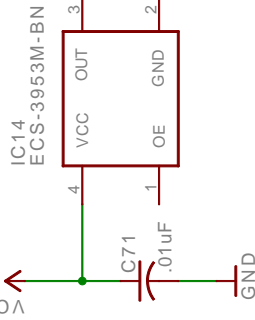
NOTE: MSEL0 & MSEL1 SELECT PPA CONFIG MODE
 NOTE: DATA0 IS HI-Z AFTER CONFIG
 NOTE: AFTER CONFIG D0 IS ON PIN 71



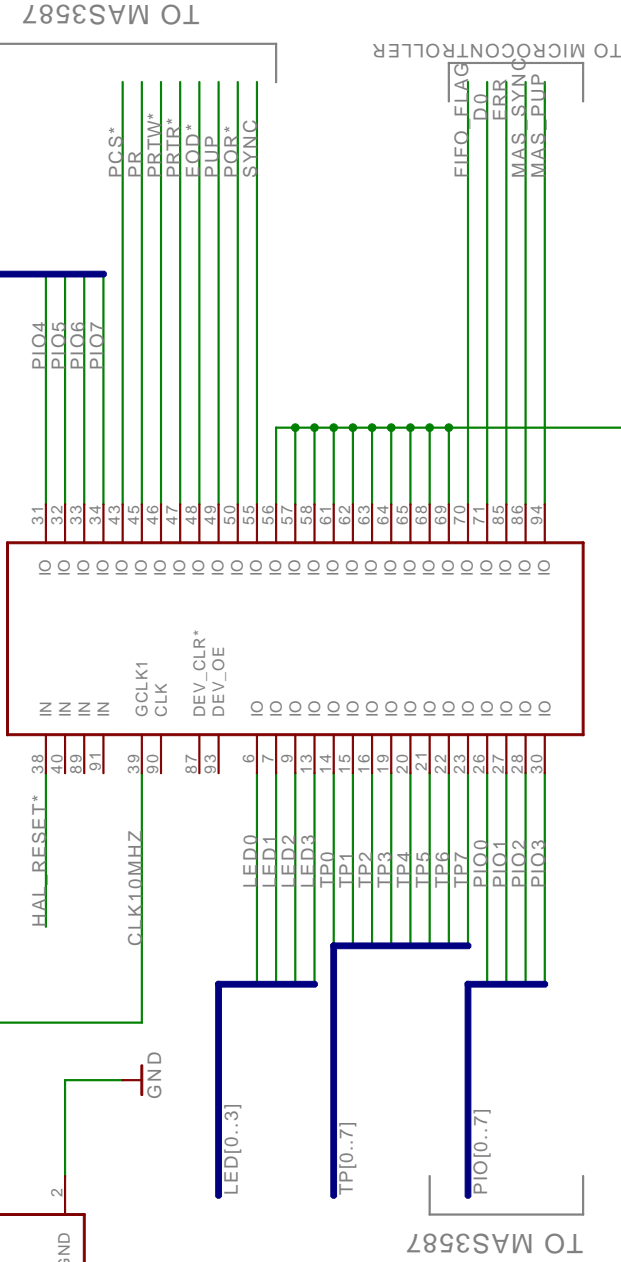
canss
 2/24/2003 21:39:36
 Sheet: 7/15

HAL IO

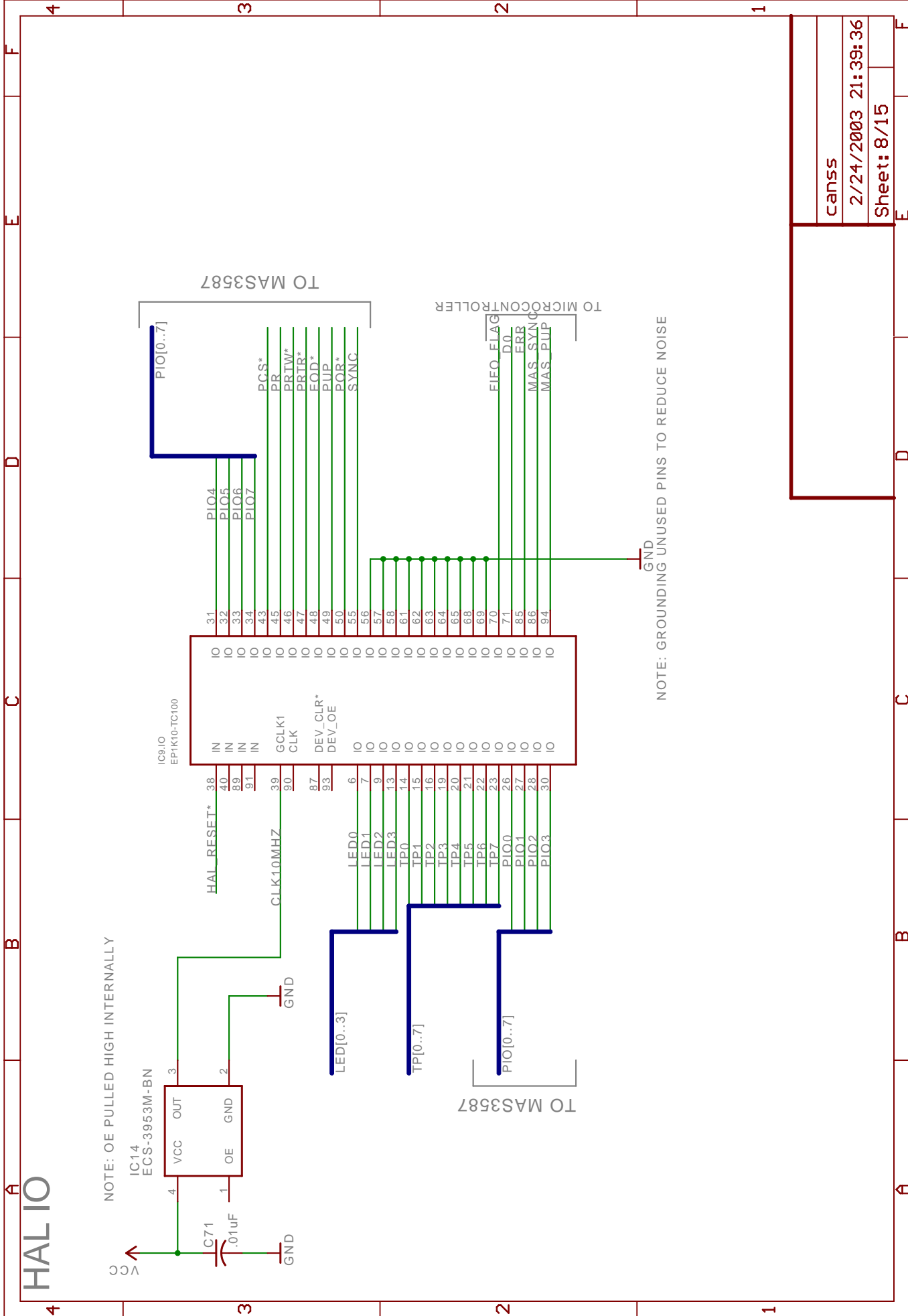
NOTE: OE PULLED HIGH INTERNALLY



IC9:IO
EP1K10-TC100



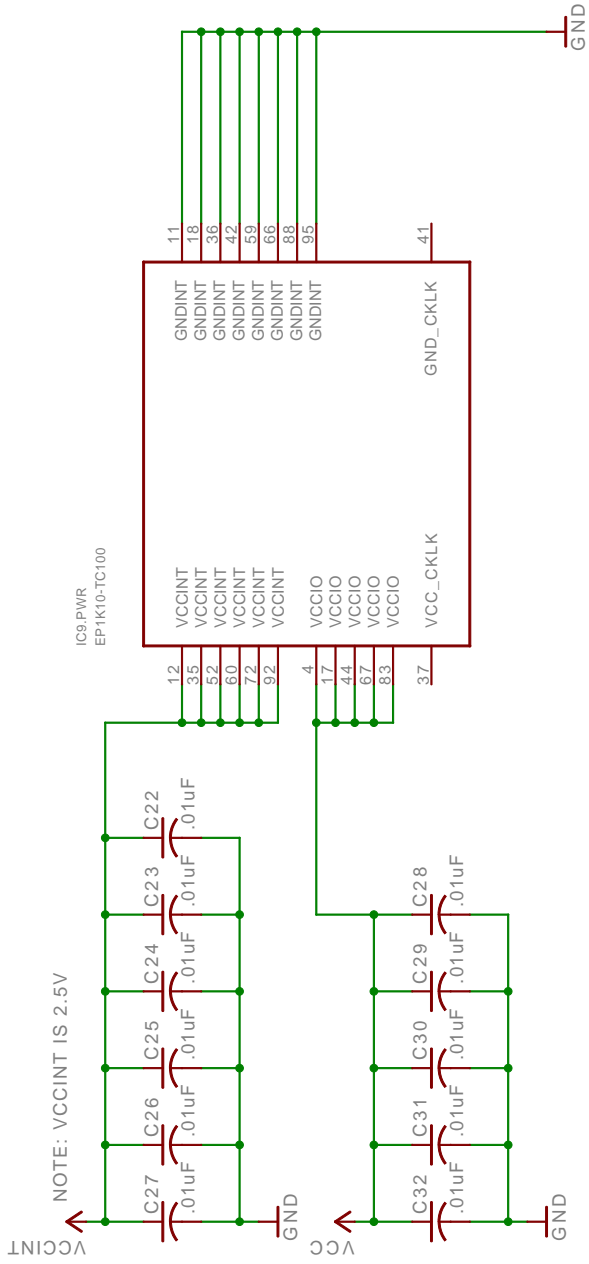
NOTE: GROUNDING UNUSED PINS TO REDUCE NOISE



| | |
|--------------------|--|
| canss | |
| 2/24/2003 21:39:36 | |
| Sheet: 8/15 | |

HAL PWR

NOTE: EACH DECOUPLING CAP SHOULD BE PLACED NEAR THE POWER PIN

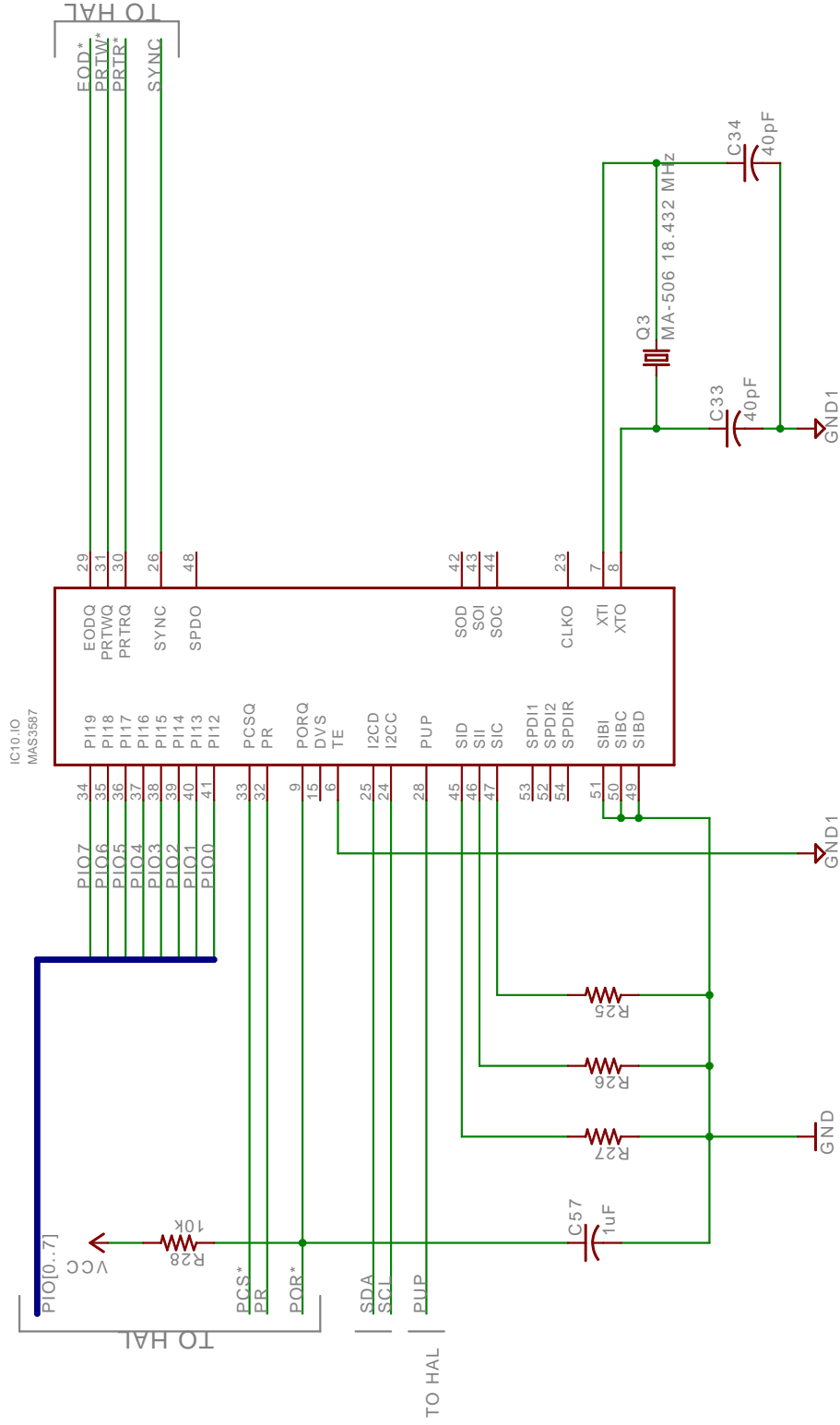


CanSS

2/24/2003 21:39:36

Sheet: 9/15

MP3 CODEC

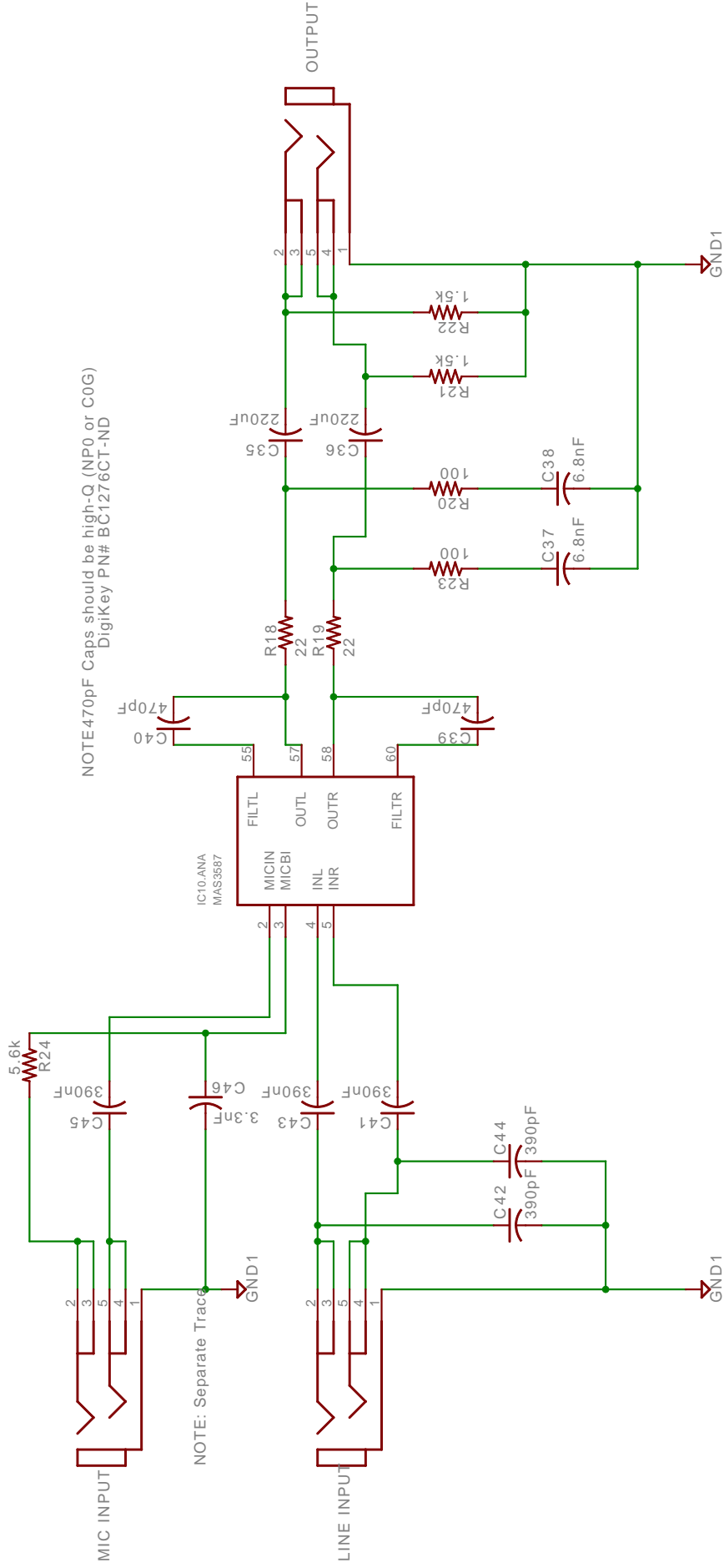


CanSS

2/24/2003 21:39:36

Sheet: 10/15

MP3 ANALOG

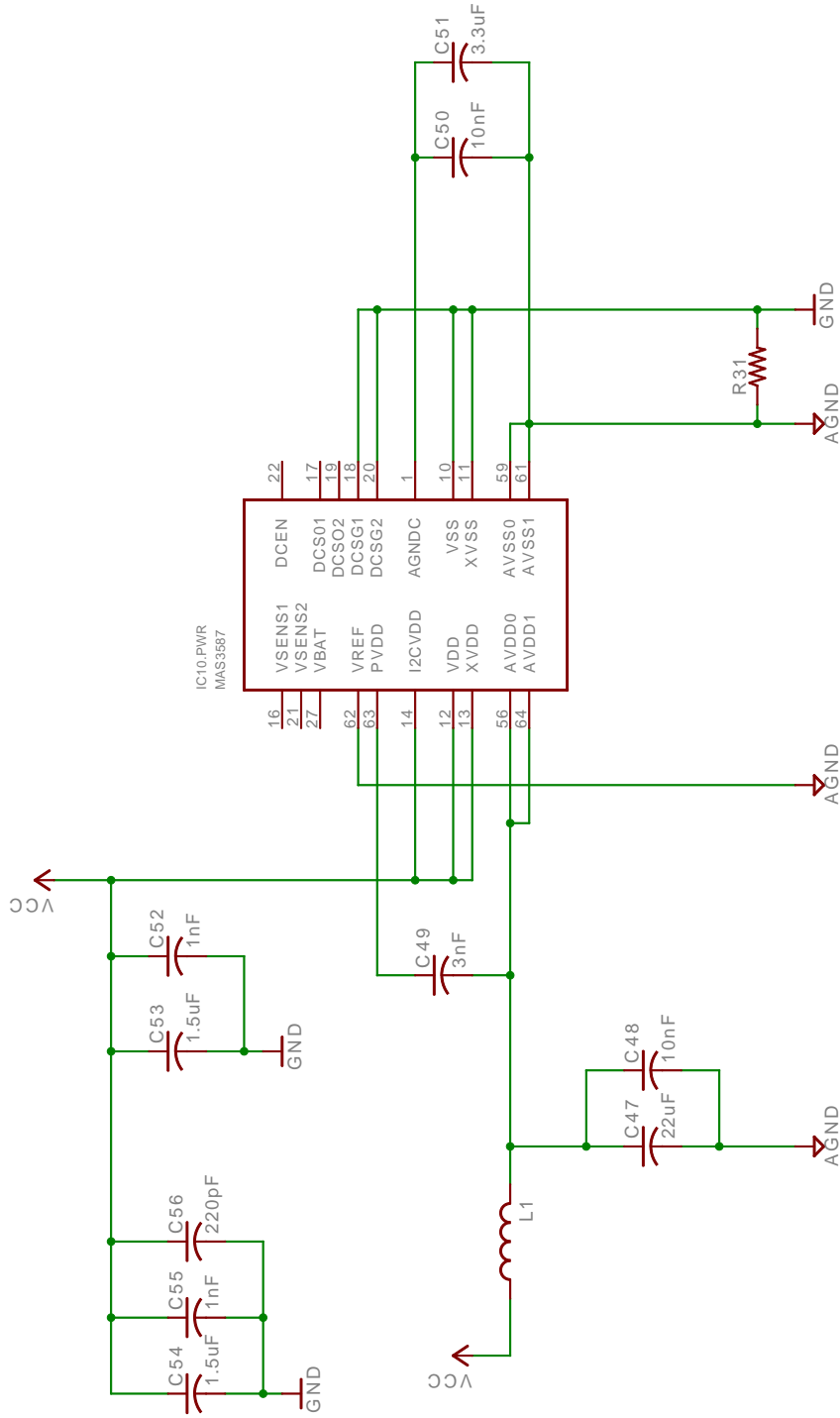


canss

2/24/2003 21:39:36

Sheet: 11/15

MP3 PWR

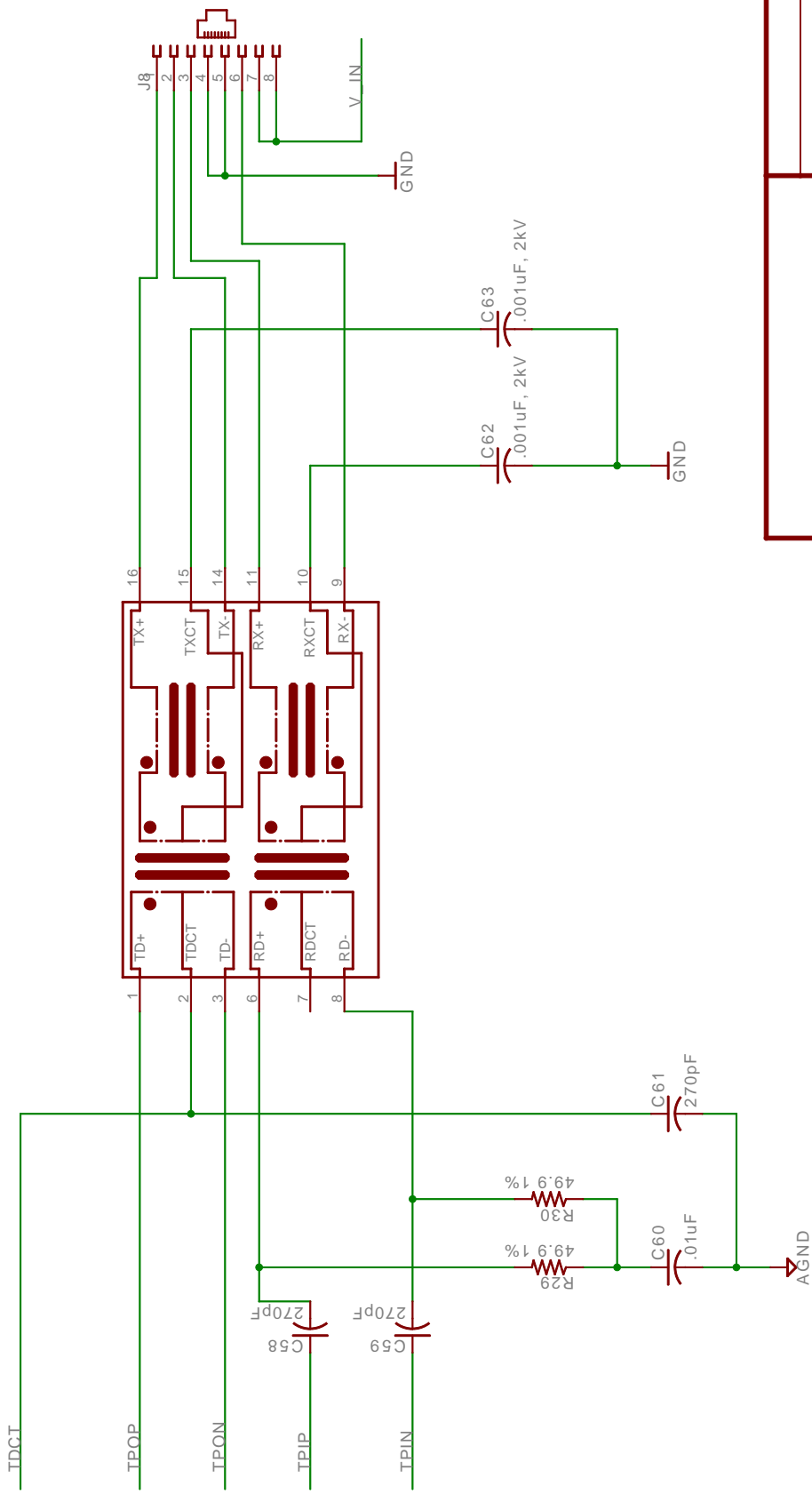


canss

2/24/2003 21:39:36

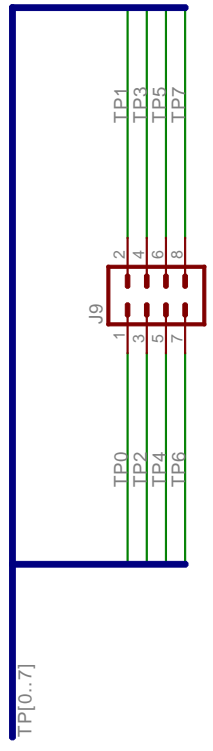
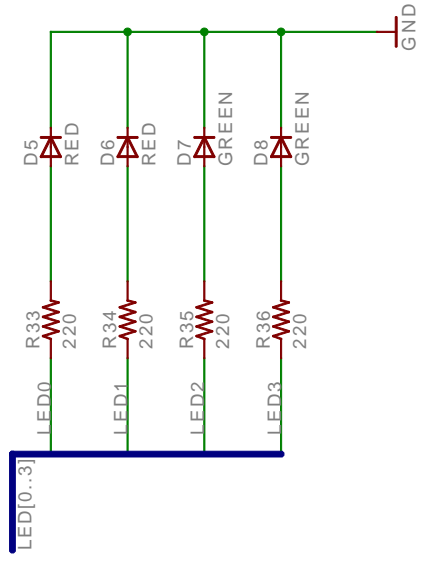
Sheet: 12/15

ETHERNET MAGNETICS



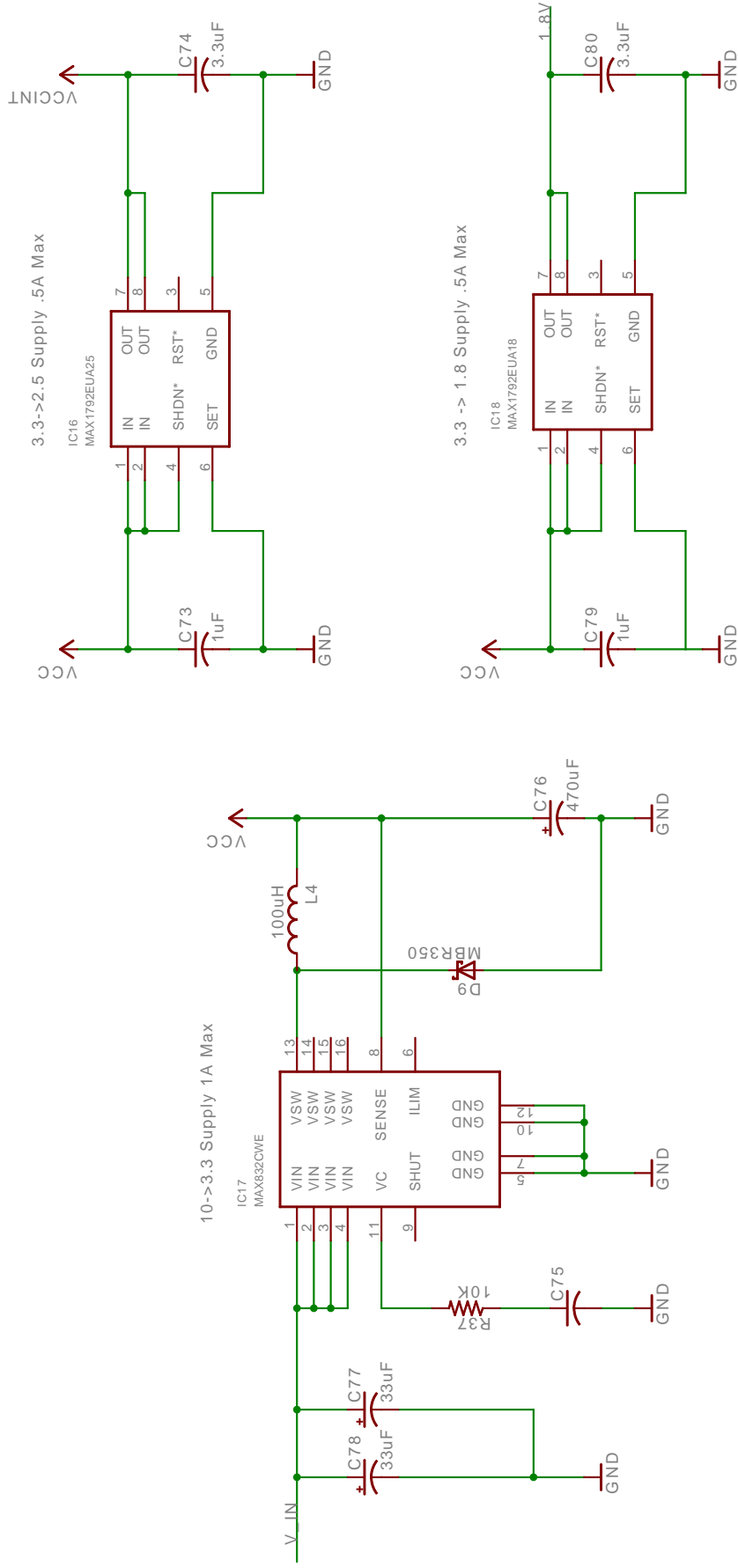
| | |
|--------------------|--|
| canss | |
| 2/24/2003 21:39:36 | |
| Sheet: 13/15 | |

TEST POINTS & LEDS



| | |
|--------------------|--|
| canss | |
| 2/24/2003 21:39:36 | |
| Sheet: 14/15 | |

POWER



canss

2/24/2003 21:39:36

Sheet: 15/15